

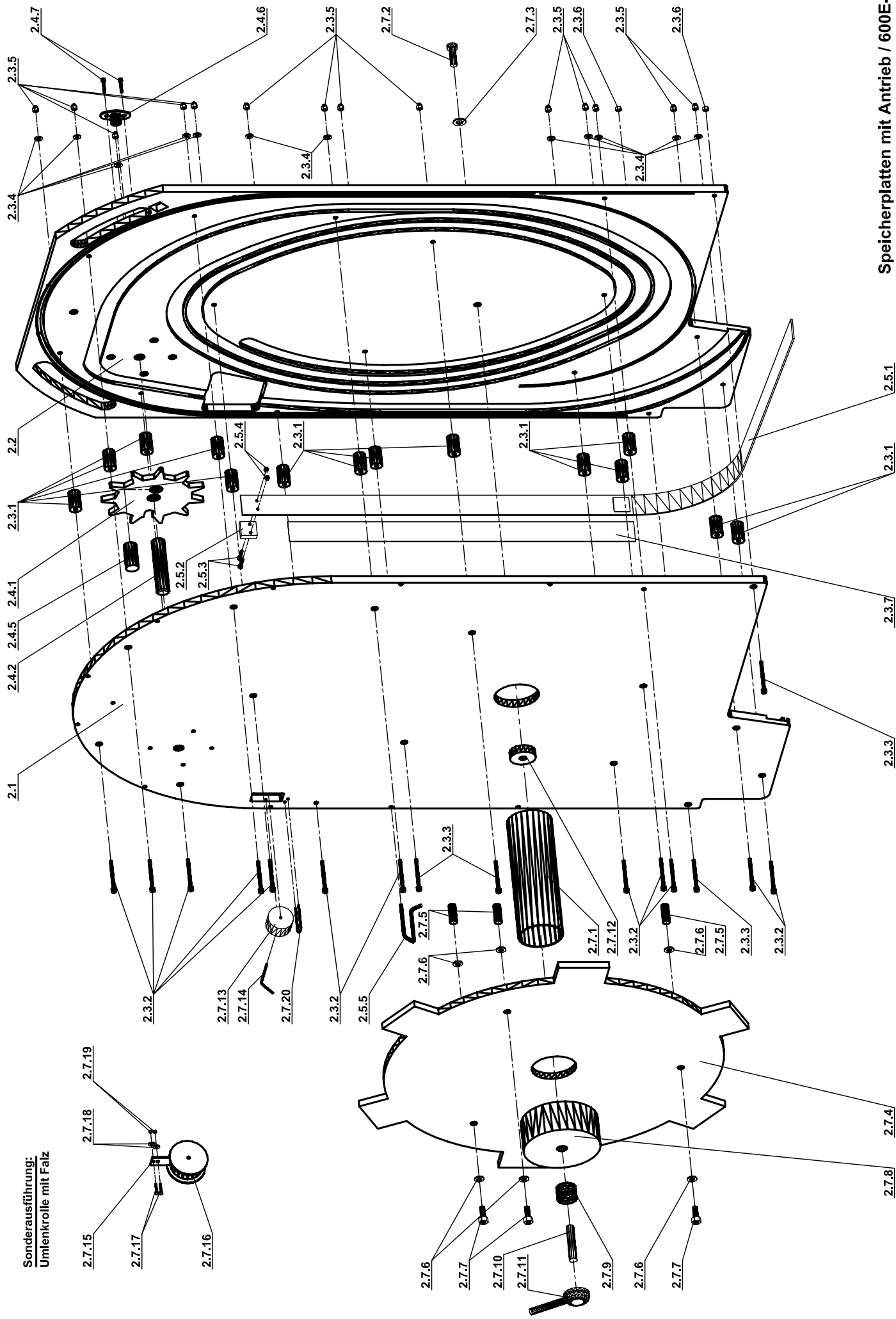
Rahmen / 600E-1

Parts list ErgoStrap 600E

Frame - Cutter - Strap lifter

Item	Quantity	Unit	Designation	Art. No.
1.1	1	ea.	Frame with storage compartment (without attachment parts) 600 E	600332
1.2	2	ea.	Large wheels (including disk + starlock-cap)	600105
1.2.1	2	ea.	Large wheels	590001
1.2.2	3	ea.	Washer	590002
1.2.3	2	ea.	Starlock-cap	600229
1.3	2	ea.	Front caster wheel (including screw connection)	600104
1.3.1	2	ea.	Front caster wheel	590004
1.3.2	2	ea.	Hexagonal recessed screw	590005
1.3.3	2	ea.	Hexagonal nut	590006
1.4.1	1	ea.	Strap lifter	600106
1.4.2	1	ea.	Hexagonal nut with clamp	590007
1.4.3	2	ea.	Plain bearing Ø 6,0	600110
1.4.4	2	ea.	Plain bearing Ø 8,0	600111
1.4.5	2	ea.	Covering cap	590008
1.4.6	1	ea.	Shrink-on tubing	590009
1.4.8	1	ea.	Rubber buffer	590017
1.5.1	1	ea.	Strut for strap lifter 600E	600334
1.5.2	1	ea.	Hexagonal recessed screw	593012
1.5.3	2	ea.	Hexagonal nut with clamp	590011
1.5.4	1	ea.	Roller	590012
1.5.5	2	ea.	Clips bearing Ø 6,0	600112
1.5.6	1	ea.	Hexagonal recessed screw	590013
1.6	1	ea.	Foot lever for cutter (including screw connection)	200011
1.6.1	1	ea.	Foot lever for cutter	190001
1.6.2	1	ea.	Welded screw	190002
1.6.3	1	ea.	Washer	190003
1.6.4	1	ea.	Hexagonal nut with clamp	190004
1.6.5	1	ea.	Hexagonal screw	191010
1.6.6	1	ea.	Hexagonal nut	590019
1.7.1	1	ea.	Lifting mechanism for cutter	200012
1.7.2	2	ea.	Yoke	190006
1.7.3	2	ea.	Hexagonal nut	190007
1.7.4	2	ea.	Alignment bolts	190008
1.7.5	2	ea.	Safety plate	190009
	1	ea.	Art. 190007+190008+190009	200013
1.8	1	ea.	Cutting knife (complete)	200005
1.8.1	1	ea.	Cutting knife	200005
1.8.2	1	ea.	Lever for cutting knife	200015
1.8.3	1	ea.	Threaded bolt delivery only with art. 200005	190011
1.9.1	1	ea.	Holder for cutting knife	200008
1.9.2	1	ea.	Casing for cutting knife	200004
1.9.3	1	ea.	Compression spring for cutter with foot lever	200014
1.9.4	2	ea.	Cheese headed screw with slot	190012
1.9.5	2	ea.	Hexagonal nut	593005
1.9.6	4	ea.	Washer	190014
1.9.7	1	ea.	Hexagonal recessed screw	190015
1.10.1	1	ea.	Lower guide roller	600107
1.10.2	2	ea.	Hexagonal screw	590014
1.10.3	2	ea.	Hexagonal nut	590015
1.11.1	1	ea.	Plunger with counter nut	300013
1.11.2	1	ea.	Sliding guide for battery pack	600337

Sonderausführung:
Umlenkrolle mit Falz

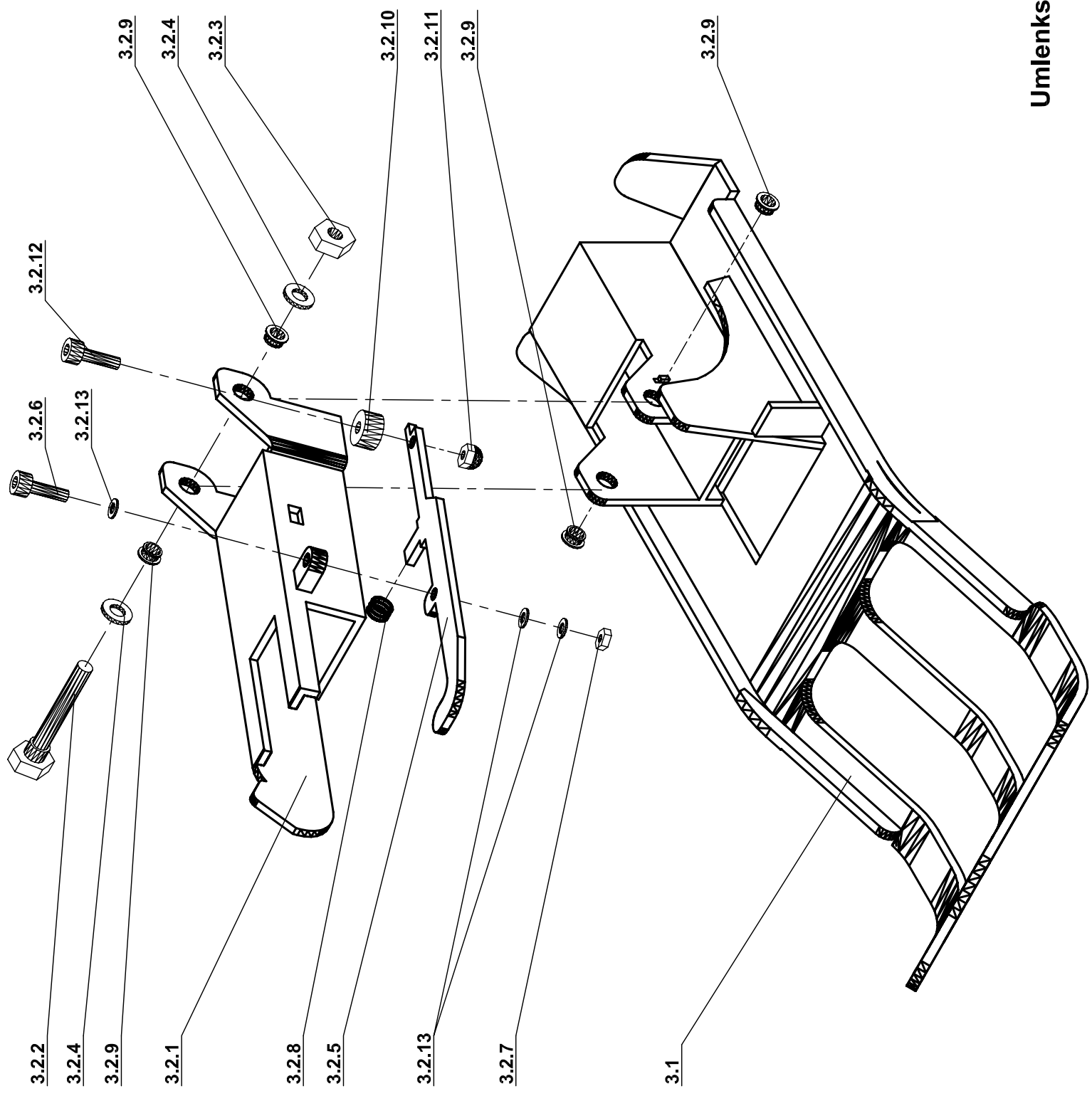


Parts list ErgoStrap 600E

Storage plates with drive

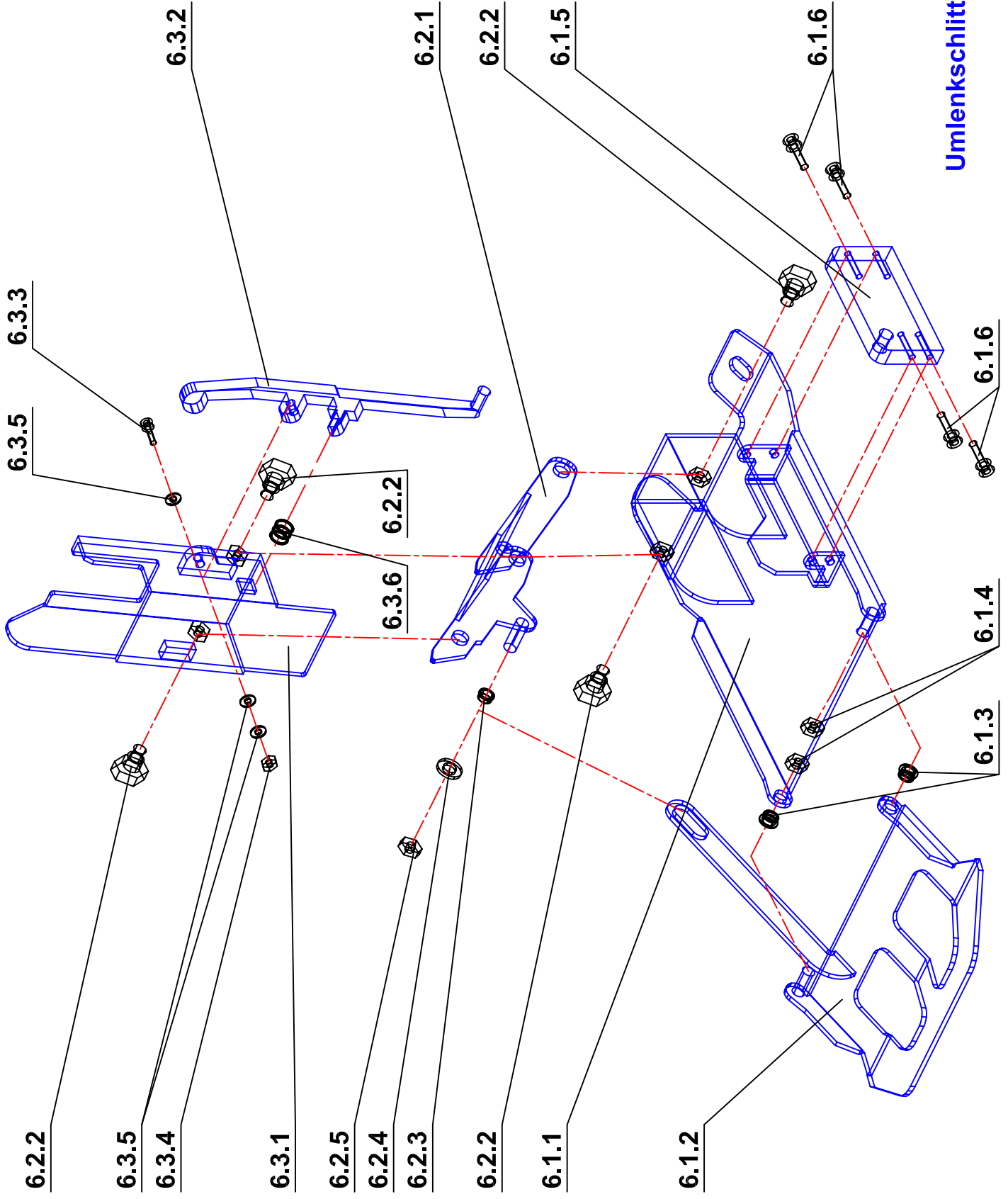
Item	Quantity	Unit	Designation	Art. No.
2.1	1	ea.	Storage plate strap side 600E	600329
2.2	1	ea.	Storage plate with handle (operator side) 600E	600330
2.3.1	14	ea.	Spacer sleeve	600132
2.3.2	12	ea.	Hexagonal recessed screw	591001
2.3.3	4	ea.	Hexagonal recessed screw	591002
2.3.4	11	ea.	Washer	591003
2.3.5	14	ea.	Hexagonal nut with flange	593010
2.3.6	2	ea.	Hexagonal nut with clamp	591006
2.3.7	1	ea.	Spacer strip	600130
2.4.1	1	ea.	Steel sprocket 600E	600309
2.4.2	1	ea.	Shaft with keyway without sprocket 600 E	600336
2.4.5	1	ea.	Guide bolts for sprocket	591008
2.4.6	1	ea.	Plain bearing 600E	600331
2.4.7	2	ea.	Tapping screw	593009
2.5	1	ea.	Length stop strap with buffer (complete)	700122
2.5.1	1	ea.	Length stop strap	600152
2.5.2	1	ea.	Buffer block	700155
2.5.3	2	ea.	Cylinder screw with slot	591009
2.5.4	2	ea.	Hexagonal nut, flat type	591010
2.5.5	1	ea.	Buffer strap	591011
2.7.1	1	ea.	Hollow shaft for holding the packaging strap	600120
2.7.2	1	ea.	Hexagonal recessed screw	591012
2.7.3	1	ea.	Washer	591013
2.7.4	1	ea.	Disk, polyurethane, red, adjustable 76-407mm	600148
2.7.5	3	ea.	Threaded sleeve	591014
2.7.6	6	ea.	Washer	591015
2.7.7	3	ea.	Hexagonal screw	591016
2.7.8	1	ea.	Brake block for strap brake	600125
2.7.9	1	ea.	Compression spring for strap brake	600126
2.7.10	1	ea.	Threaded piece	591017
2.7.11	1	ea.	Adjustment screw for strap brake	600127
2.7.12	1	ea.	Spacer 12mm, for distributing strap take-up	600190
2.7.13	1	ea.	Guide pulley, upper without groove	600206
2.7.14	1	ea.	Axle for guide pulley, upper	600196
2.7.15	1	ea.	Flashing for guide pulley, upper with groove	600208
2.7.16	1	ea.	Guide pulley, upper with groove	600207
2.7.17	2	ea.	Hexagonal recessed screw *	591018
2.7.18	2	ea.	Washer *	591019
2.7.19	2	ea.	Hexagonal nut *	591010
2.7.20	1	ea.	Strap guiding pin	600119

*) only for guide pulley with groove (Item 2.7.16)



Parts list ErgoStrap 600E
Reversing sledge

Item	Quantity	Unit	Designation	Art. No.
3.1	1	ea.	Support shoe/skid 600E	600325
3.2.1	1	ea.	Support-movable part 600E	600326
3.2.2	1	ea.	Hexagonal screw	592001
3.2.3	1	ea.	Hexagonal nut with clamp	592002
3.2.4	2	ea.	Washer	592003
3.2.5	1	ea.	Lever, guide pulley support 600E	600327
3.2.6	1	ea.	Hexagonal recessed screw	592004
3.2.7	1	ea.	Hexagonal nut with clamp	592005
3.2.8	1	ea.	Compression spring for lever, guide pulley support	600157
3.2.9	4	ea.	Clips bearing	600212
3.2.10	1	ea.	Roll for lever, guide pulley support 600E	600328
3.2.11	1	ea.	Hexagonal nut	590015
3.2.12	1	ea.	Hexagonal recessed screw	593008
3.2.13	5	ea.	Washer	190014



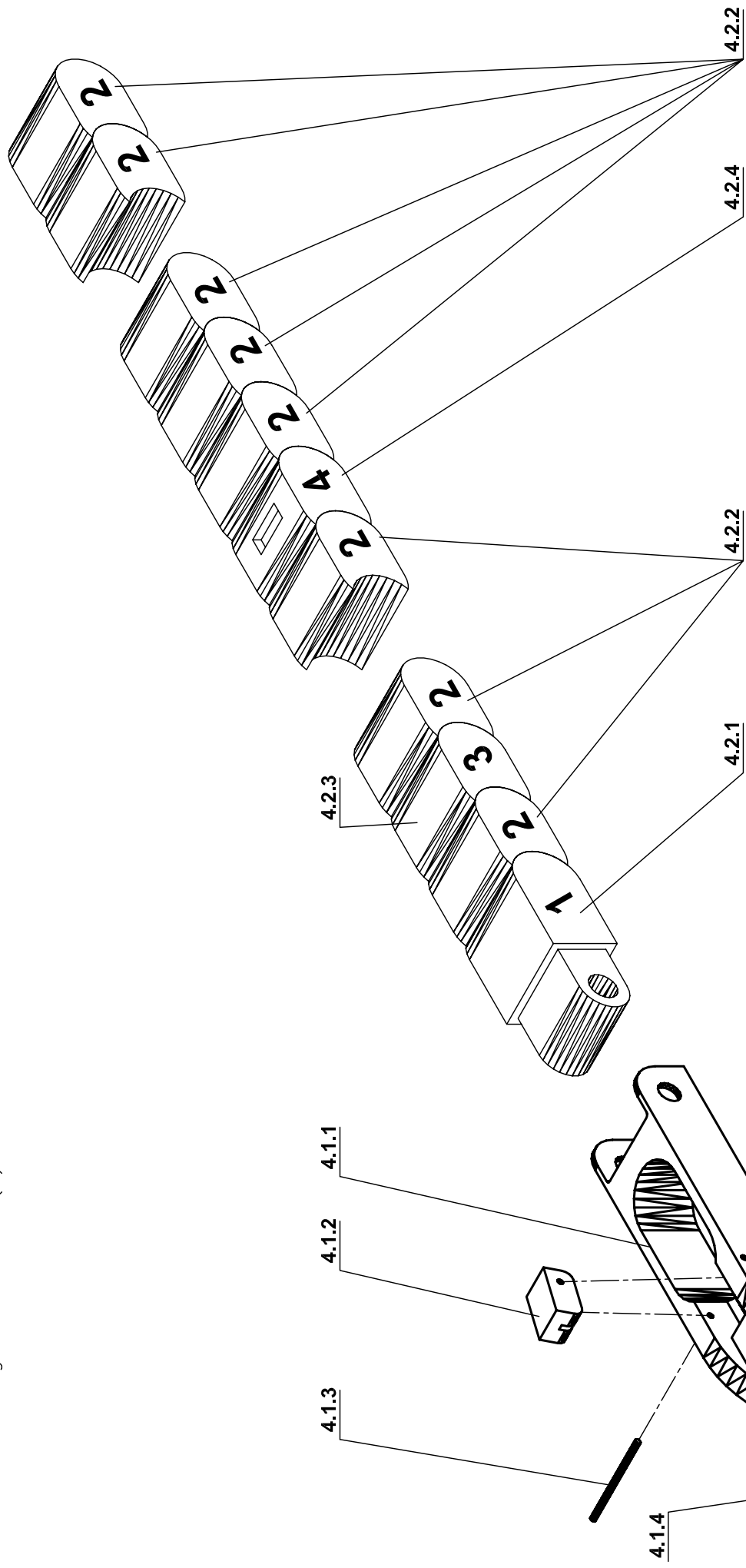
Umlenkschlitten US / 600-0

Parts list ErgoStrap 600E
US-Reversing sledge

Item	Quantity	Unit	Designation	Art. No.
6.1.1	1	ea.	US-Sledge shoe/skid-1	600214
6.1.2	1	ea.	US-Sledge shoe/skid-2	600215
6.1.3	2	ea.	Clips bearing	600212
6.1.4	2	ea.	Hexagonal nut with clamp	592002
6.1.5	1	ea.	US-Sledge guide block	600220
6.1.6	4	ea.	Cylinder hexagonal	600218
6.2.1	1	ea.	US-Sledge hinge H-binder	600216
6.2.2	4	ea.	US-Sledge bearing screw	600217
6.2.3	1	ea.	Plain bearing	600111
6.2.4	1	ea.	Washer	592003
6.2.5	1	ea.	Hexagonal nut with clamp	592002
6.3.1	1	ea.	US-Sledge hinge	600213
6.3.2	1	ea.	US-Sledge lever	600219
6.3.3	1	ea.	Hexagonal recessed screw	592004
6.3.4	1	ea.	Hexagonal nut with clamp	592005
6.3.5	3	ea.	Washer	190014
6.3.6	1	ea.	Compression spring for lever hinge	600157

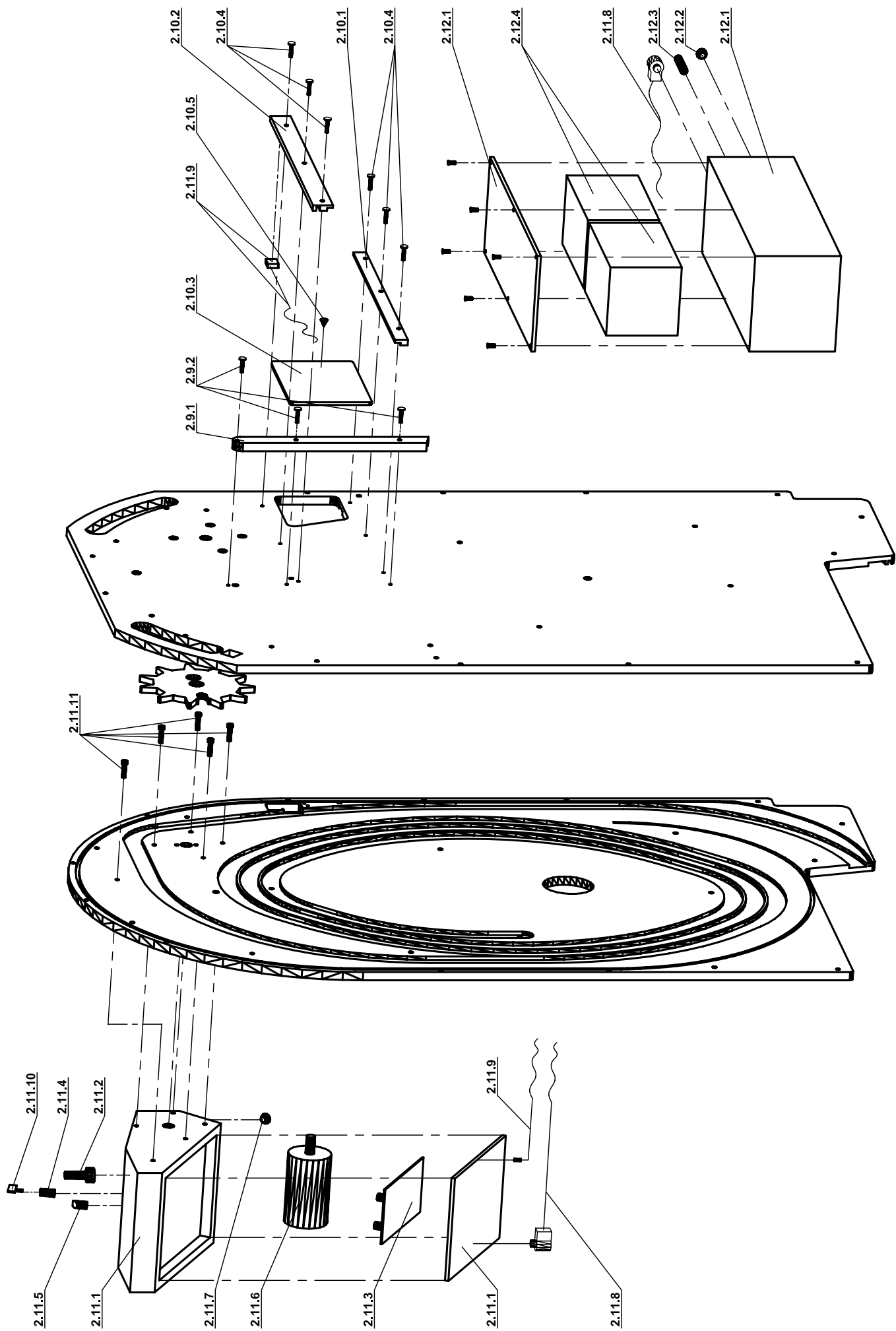
Zusammenbau-Reihenfolge:

- 1x Verbindungsglied (1)
- 1x Kettenglied Standard (2)
- 1x Kettenglied mit größerem Knickwinkel (3)
- 20x Kettenglied Standard (2)
- 1x Kettenglied rot mit Einfädelschlitz (4)
- 121x Kettenglied Standard (2)



Parts list ErgoStrap 600E
ChainLance

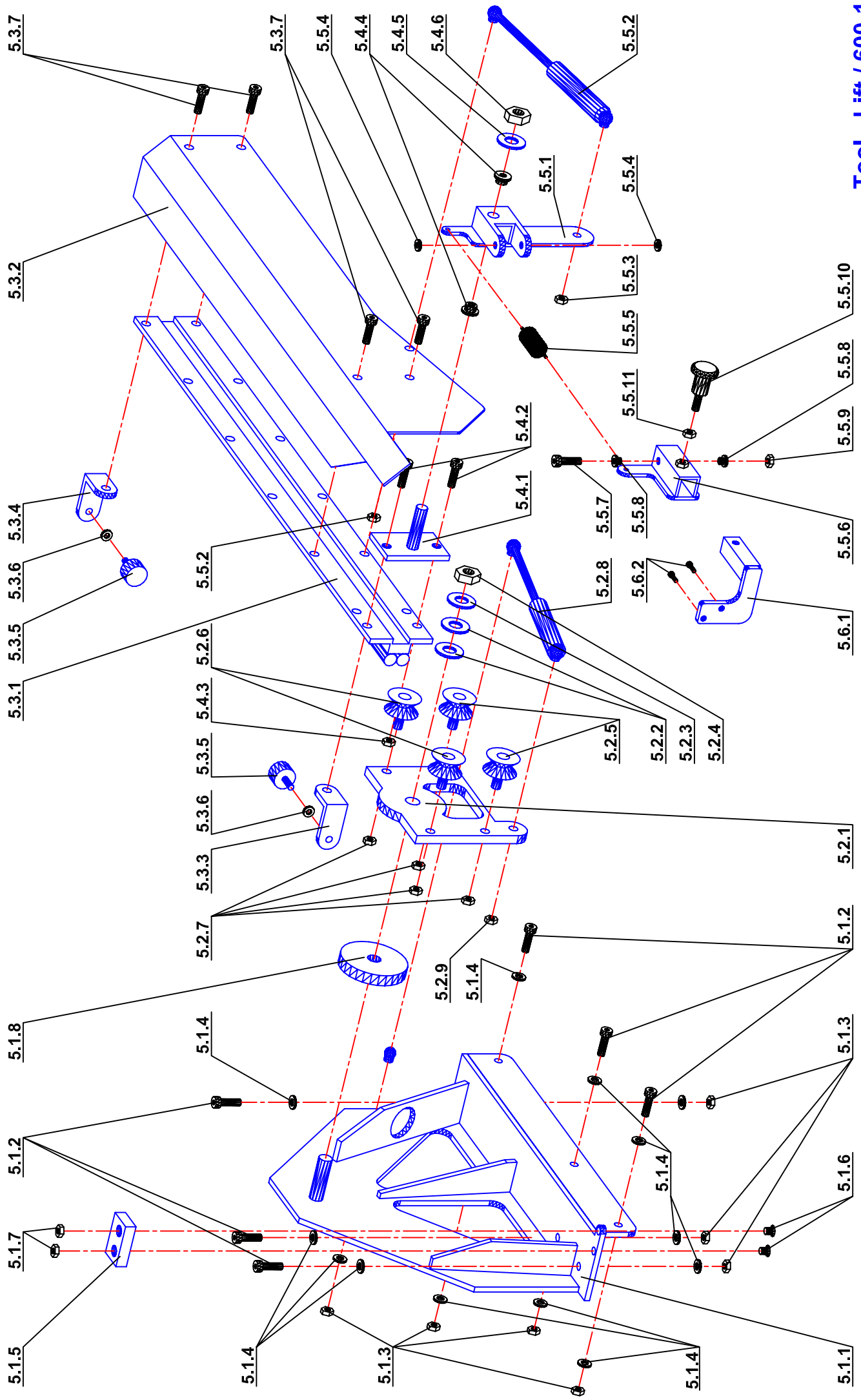
Item	Quantity	Unit	Designation	Art. No.
4.1	1	ea.	Header (complete)	600135
4.1.1	1	ea.	Header	600149
4.1.2	1	ea.	Cam	600143
4.1.3	1	ea.	Cam axle	593001
4.1.4	1	ea.	Trip pin for cam	593002
4.2	1	ea.	ChainLance, complete 600E	600335
4.2.1	1	ea.	Chain link, number 1	600136
4.2.2	142	ea.	Chain link, number 2	600153
4.2.3	1	ea.	Chain link, number 3	600209
4.2.4	1	ea.	Chain link, number 4	600138



Parts list ErgoStrap 600E

Electro parts

Item	Quantity	Unit	Designation	Art. No.
2.9.1	1	ea.	Cable duct	600302
2.9.2	3	ea.	Tapping screw	593006
2.10.1	1	ea.	Slideway window, lower	600303
2.10.2	1	ea.	Slideway window, upper	600304
2.10.3	1	ea.	Sliding window	600301
2.10.4	6	ea.	Tapping screw	593007
2.10.5	1	ea.	Knob	600300
2.11	1	ea.	Control complete with drive motor	600310
2.11.1	1	ea.	Control box	600311
2.11.2	1	ea.	Joystick with circuit board and LEDs	600312
2.11.3	1	ea.	Mainboard incl. software	600313
2.11.4	1	ea.	Main switch	600314
2.11.5	1	ea.	Switch set up mode	600315
2.11.6	1	ea.	Electric motor with spur gear	600307
2.11.7	1	ea.	Goretex-Membran control box	600322
2.11.8	1	ea.	Electric cable to battery incl. both plugs	600317
2.11.9	1	ea.	Door switch incl. cable + plugs	600318
2.11.10	1	ea.	Key for main switch	600319
2.11.11	5	ea.	Hexagonal recessed screw	593013
2.12	1	ea.	Battery pack, complete	600320
2.12.1	1	ea.	Battery casing	600321
2.12.2	1	ea.	Goretex-Membran battery pack	600322
2.12.3	1	ea.	Fuse	600323
2.12.4	2	ea.	Battery set consisting of 2 x 12 V batteries	600324



Parts list ErgoStrap 600E
Tool-Lift

Item	Quantity	Unit	Designation	Art. No.
5.1.1	1	ea.	Holder for Tool-lift	300001
5.1.2	6	ea.	Hexagonal recessed screw	191001
5.1.3	6	ea.	Hexagonal nut	191002
5.1.4	12	ea.	Washer	191003
5.1.5	1	ea.	Buffer block	600151
5.1.6	2	ea.	Recessed screw	191004
5.1.7	2	ea.	Hexagonal nut	191005
5.1.8	1	ea.	Sliding disk	300024
5.2.1	1	ea.	Holder - linear guide	300006
5.2.2	2	ea.	Cup spring	300012
5.2.3	1	ea.	Washer	191006
5.2.4	1	ea.	Hexagonal nut with clamp	191007
5.2.5	2	ea.	Conical roller, concentric, with ball bearings	300020
5.2.6	2	ea.	Conical roller, eccentric, with ball bearings	300021
5.2.7	4	ea.	Hexagonal nut	590019
5.2.8	1	ea.	Compressed air spring for linear guide	300015
5.2.9	2	ea.	Hexagonal nut	590019
5.3.1	1	ea.	Linear guide	300019
5.3.2	1	ea.	Cover	300009
5.3.3	1	ea.	Left stop	300007
5.3.4	1	ea.	Right stop	300008
5.3.5	2	ea.	Rubber-metal buffer	300017
5.3.6	2	ea.	Washer	191003
5.3.7	4	ea.	Hexagonal recessed screw	191010
5.4.1	1	ea.	Holder, swivel unit, fixed side	300002
5.4.2	2	ea.	Recessed screw	191011
5.4.3	1	ea.	Hexagonal nut	191002
5.4.4	2	ea.	Plain bearing	300010
5.4.5	1	ea.	Washer	191012
5.4.6	1	ea.	Hexagonal nut with clamp	191013
5.5.1	1	ea.	Holder, swivel, loose side	300003
5.5.2	1	ea.	Compressed air spring for locking tool	300022
5.5.3	2	ea.	Hexagonal nut	590019
5.5.4	2	ea.	Clips bearing	300011
5.5.5	1	ea.	Tension spring, swivel unit, Tool-Lift	300016
5.5.6	1	ea.	Take- up, locking tool	300004
5.5.7	1	ea.	Hexagonal recessed screw	191014
5.5.8	2	ea.	Plain bearing	600110
5.5.9	1	ea.	Hexagonal nut with clamp	590011
5.5.10	1	ea.	Locking bolt	300013
5.5.11	1	ea.	Hexagonal nut	191016
5.6.1	1	ea.	Holder, locking tool	300005
5.6.2	2	ea.	Hexagonal recessed screw	191017